

TECHNICAL DATA RS 140 ZERO SPEED STABILIZER

Electrical requirements

Power supply:	230 VAC / 50 Hz
Max. Power consumption (per unit*):	Underway : 1500 W - Zero Speed : 2500 W
Average power consumption (per unit):	Underway : 1000 W - Zero Speed : 2000 W
Peak consumption (+/- 0,5 sec)	12,5 Amp
Protection:	C 16 / 0,03 A (one unit) C 25 / 0,1 A (two units)
Inverter recommendation:	Victron Phoenix 3000 Va (one unit)
Generator use for longer periods for ZS mode mandatory:	Victron Phoenix 5000 Va (two units)

Mechanical requirements

Reinforcement:	Structure reinforcement to withstand at least 9000 Nm dynamic loads
	Steel & Aluminium hull: box shaped Reinforcement
	GRP & Wooden hull: (wooden) Reinforcement laminated to hull & frame. Trough hull bushing installed with stainless steel 316 doubler plates an hollex filler (or equivalent)

Placement

Stabilizer units:	From amidships to 1,5 metr (5 ft) before aft, as far outside as possible.
Control box:	Close to stabilizer units, horizontal or Vertical placemnet possible.
Display:	Near main helm / ships controls

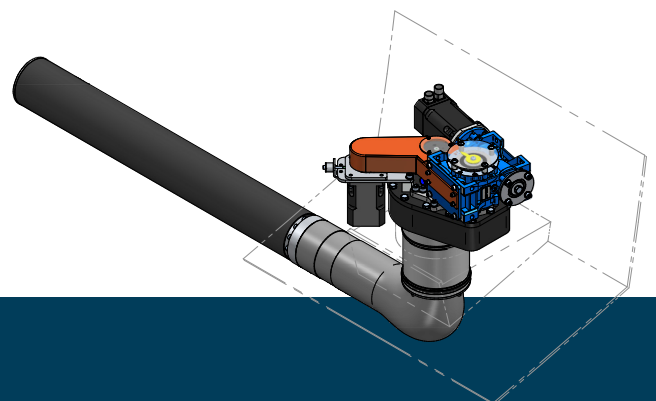
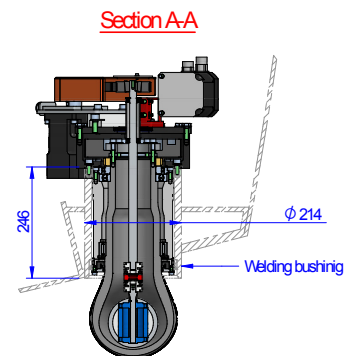
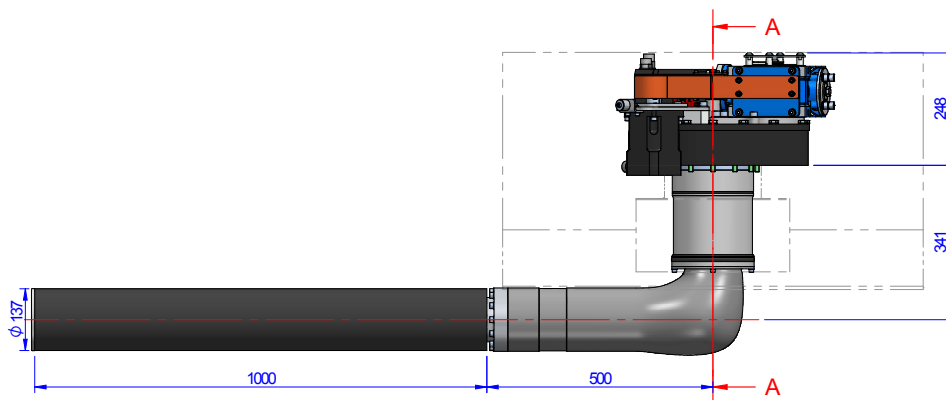
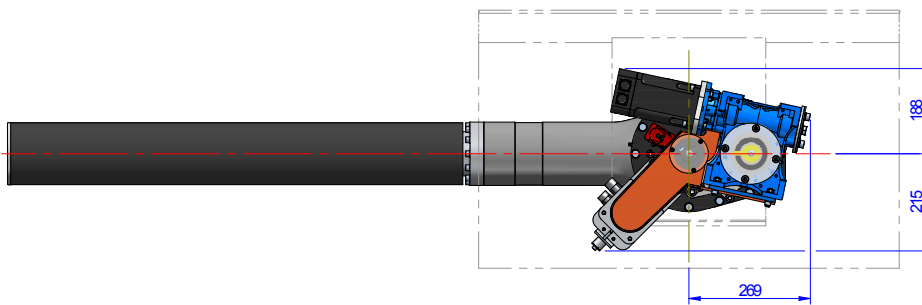
* One unit : 1 rotor stabilizer positioned at SB or PS

Construction

Welding Bushing:	Steel with stainless steel 316 insert Stainless steel AlMg 4,5 Mn (Aluminium)
Elbow:	Nodular cast iron (epoxy coated)
Shaft:	Hardened stainless 17/4 PH
Rotor:	Carbon / epoxy with stainless steel insert 1000 or 1250 mm long, Ø 140 mm
Bearings:	Shaft: maintenance free roller bearings Bushing: sleeve bearing
Seals:	Multiple seals / O-rings
Gears:	Hardened steel
Gear housing & inside structure:	Machined aluminium
Swivel motor:	1900 W industrial grade servo drive with brake
Rotation motor:	1900 W industrial grade servo drive
Drive belt:	Multi V-belt (automotive grade)
Safety:	Break away bolts in case of heavy impact swivel mechanism. Multiple seals shaft / bushing / inside structure Manual retraction mechnism



TECHNICAL DATA RS 140 ZERO SPEED STABILIZER



ROTORSWING
YACHT STABILITY CONTROL

Industriestraat 7c | 6361 HD Nuth | +31 (0)6 25442572
info@rotorswing.com | www.rotorswing.com

